

NOTE: TERMINAL L1 MUST BE POWERED BEFORE TERMINAL 12

FORM 6642 VT GROUP MP3101

PROTECTOFIER
SINGLE BURNER, MANUAL
OPERATION, INCLUDES TIMER
FOR PURGE AND IGNITION
TRIAL.

SS100A FLAME PAK

ACF { C - CHECK RELAY
F - FLAME RELAY

POC - PROOF OF CLOSURE
CONTACT(S) FROM
MAIN VALVE(S)

NO CONNECTION

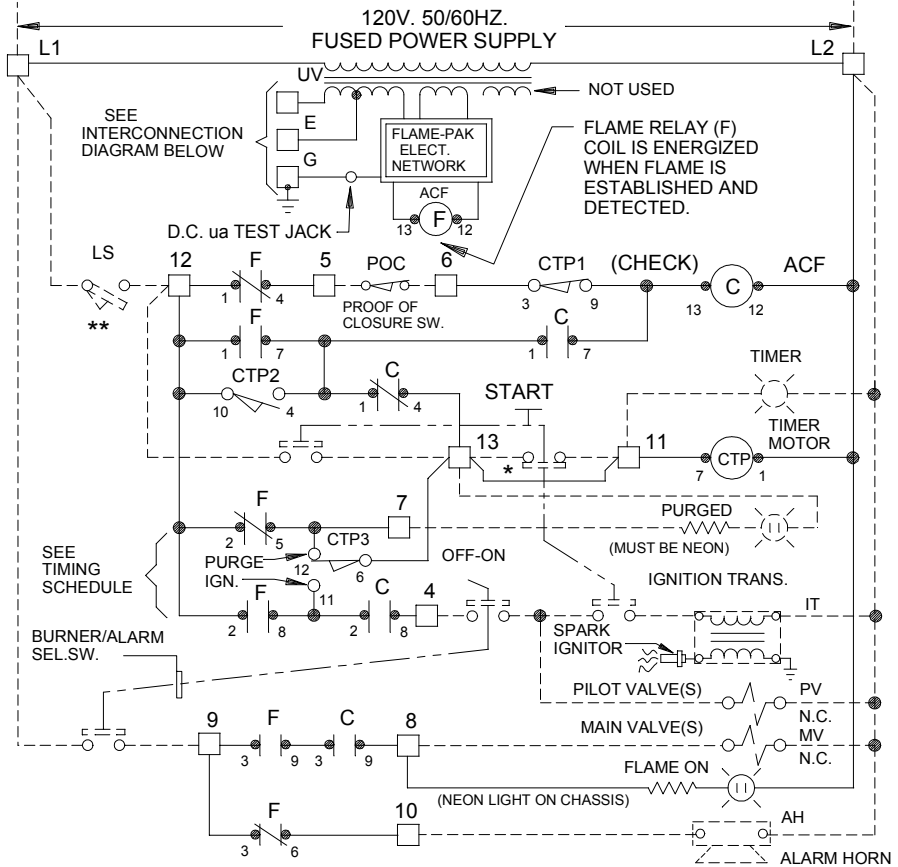
* - JUMPER IN U300M MANUAL
TIMOFIER FOR IGNITION
TRIAL UNITS ONLY.

** - SAFETY INTLK.SERIES CIRCUIT.
FUEL AND AIR PRESS.SWS.,
VENT,FANS,ETC. AS REQ'D.

NOTE: TIMER CAMS (CTP) SHOWN
IN ZERO TIME POSITION.
CTP2 CLOSSES BEFORE
CTP1 OPENS.

INTERNAL WIRING
EXTERNAL WIRING

WIRING DIAGRAM



NOTE:
TERMINAL L1 MUST
BE POWERED BEFORE
TERMINAL 12

120V.
50/60HZ.
FUSED
POWER
SUPPLY

NOTES:

FLAME WIRE TO BE NO. 14 TYPE TW.
600V. INSULATED WIRE OR EQUAL. FLAME
WIRE MUST NOT BE IN SAME CONDUITS
WITH POWER WIRING.

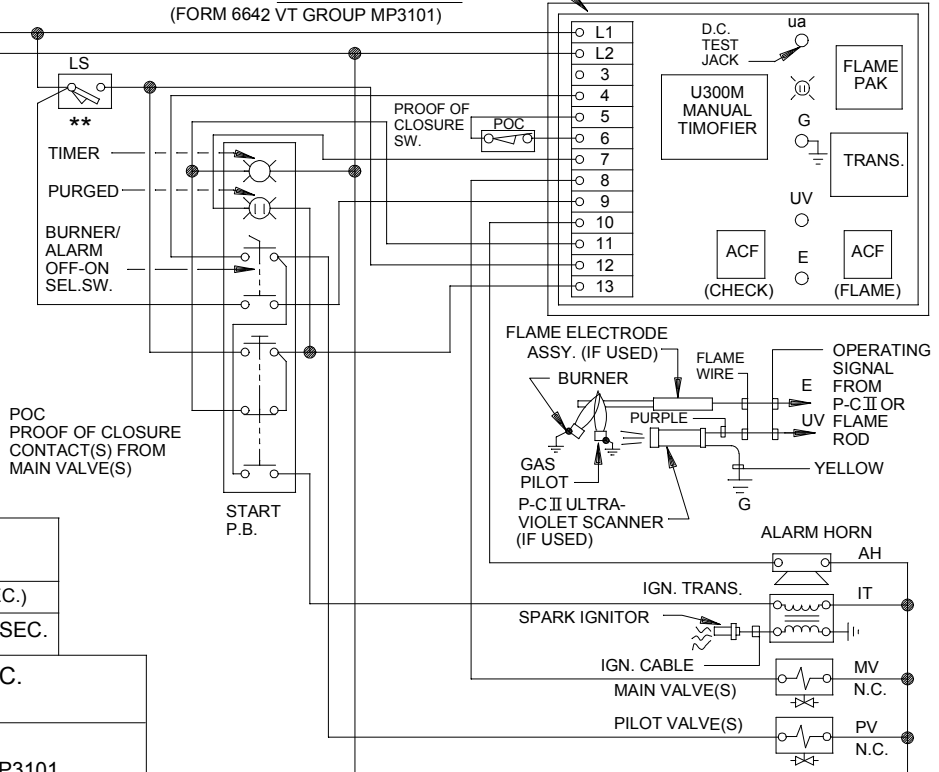
IGNITION CABLE MUST BE RUN IN SEPARATE
CONDUIT TO SPARK ELECTRODE.
(DO NOT MIX WITH 120V.WIRING.)

ALL WIRING AND EQUIPMENT EXTERNAL TO
PROTECTOFIER TO BE FURNISHED BY
OTHERS UNLESS OTHERWISE SPECIFIED.

INSTALLATION, OPERATION AND MAINTENANCE
SHALL CONFORM WITH NATIONAL FIRE
PROTECTION ASSOCIATION STANDARDS,
NATIONAL AND LOCAL CODES AND
AUTHORITIES HAVING JURISDICTION.ANY
MODIFICATION VOIDS APPROVAL.

POC.
PROOF OF CLOSURE
CONTACT(S) FROM
MAIN VALVE(S)

SINGLE BURNER PROTECTOFIER
(FORM 6642 VT GROUP MP3101)



INTERCONNECTION DIAGRAM

**U300M MANUAL
TIMOFIER TIMING**

RANGE	PURGE(MIN.)	IGN.(SEC.)
M	MIN.	SEC.

PROTECTION CONTROLS, INC.
SKOKIE, ILLINOIS

WIRING DIAGRAM FOR:
PROTECTOFIER FORM 6642VT GROUP MP3101

JOB NO.	REVISED	DRAWING NO.
	1-05	X-379